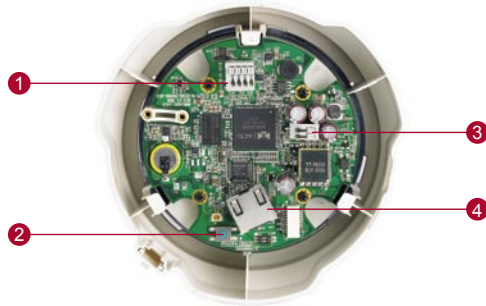


# ACM-3001

IP Fixed Dome Camera

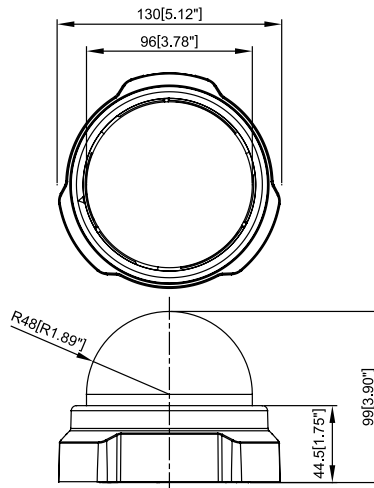


- 1/3" Micron Progressive Scan CMOS
- Integrated f4.2mm / F1.8 fixed lens
- 0.5 Lux at F1.8
- Interchangeable lenses available
- Selectable MPEG-4 SP / MJPEG compression
- VGA resolution at 30 FPS
- Multi-stream with variable frame rate in the same compression
- Shutter Speed, White Balance, Exposure, Gain Controls supported
- Two-way audio supported
- Hardware motion detection
- DC 12V or Power over Ethernet (IEEE 802.3af) supported
- Surface / Pendant / Wall / Corner / Pole / Flush mount supported



- 1 Audio Input / Output
- 2 Reset Button
- 3 DC 12V Power Input
- 4 Ethernet Port

## DIMENSION DIAGRAM



Unit: mm [inch]

**PRODUCT SPECIFICATION**

		ACM-3001
Image	Device	Micron Progressive Scan CMOS
	Size	1/3 inch
	Effective Pixels	640(H) x 480(V)
Min. Scene Illumination	Color	0.5 Lux at F1.0 (2400 °K, 30 IRE)
	B/W	N/A
	IR Sensitivity	N/A
	CDS Sensor	N/A
Lens	Focal Length	f4.2 mm / F1.8
	Viewing Angle	63.7° (Horizontal)
Camera Angle Adjustment	X (Panning)	0° ~170°
	Y (Tilting)	0° ~180°
Synchronization	Sync. System	Internal
Day/Night Functions	Mechanical IR Cut Filter	N/A
	Motion Detection	Yes (3 Windows)
Functions	Electronic Shutter	1/5 ~ 1/15,000 sec
	Fixed Shutter (Manual)	1/30 ~ 1/1,000 sec. (60Hz); 1/25 ~ 1/1,000 sec. (50Hz)
	Flickerless	1/120 sec. (60Hz); 1/100 sec. (50Hz)
	AGC	Automatic (User defined)
	White Balance	AUTO, INDOOR1, INDOOR2, OUTDOOR1, OUTDOOR2, HOLD CURRENT, MANUAL
S/N Ratio	S/N Ratio	Better than 44 dB
Video Compression	Compression	MPEG-4 SP, MJPEG selectable
	Picture Resolution	VGA (640x480) QVGA(320x240) QQVGA(160x112)
	Bit Rate	28K ~ 3M bps
	Image Frame Rate	30 fps at VGA resolution
Audio Input	Compression	8kHz, Mono, PCM
	Audio Line Input	Unbalanced, 1.4Vp-p, 1Vrms, terminal block
Audio Output	Compression	8kHz, Mono, PCM
	Audio Line Output	Unbalanced, 1.4Vp-p, 1Vrms, terminal block
External I/O	Reset Button	Factory default
Casing	Mount Types	Surface / Pendant* / Wall* / Corner* / Pole* / Flush*
Network	Ethernet Port	Ethernet (10/100 Base-T), RJ-45 connector
	Protocol	TCP, UDP, HTTP, HTTPS, DHCP, PPPoE, RTP, RTSP, DNS, DDNS, NTP, ICMP, ARP, IGMP, SMTP, FTP, UPnP
Software	Web Browser	Microsoft Internet Explorer 6.0 or above
	SDK	ACTi SDK-10000
	Security	Password protection: configured by the administrator
Operating	Temperature	-10 °C ~ 50 °C (14 °F ~ 122 °F)
Power	Power Requirement	PoE (IEEE802.3af) with Class 3
	Power Consumption	3.3 W (DC 12V); 4.3 W (PoE)
Physical	Dimensions (ØxH)	130 mm x 99 mm (5.12" x 3.90")
	Weight	350 g (0.7 lb)
Approvals	Certificate	CE, FCC

**ACCESSORY OPTIONS**

Lens	Dome Cover	Mount Kit	Mounting Configuration*
• f2.4mm F2.0, Board mount, Format 1/3"	• Transparent Cover • Smoke Cover	• Mount Kit • L Type Wall Mount Kit • Flush Mount Kit • Gang Box Converter	• Pendant Mount • Wall Mount • Corner Mount • Pole Mount • Flush Mount
PLEN-0112	PDCX-0002 PDCX-0101	PMAX-0101 PMAX-0308 PMAX-1006 PMAX-0801	

\*Sold separately. Please refer to detailed mounting configuration table in the accessory section or Project Planner on ACTi.com

\* All specifications are subject to change without notice.

\* All brand names and registered trademarks are the property of their respective owners.

[www.acti.com](http://www.acti.com)

**ACTi**  
Connecting Vision