



ACM-4000/ACM-4001



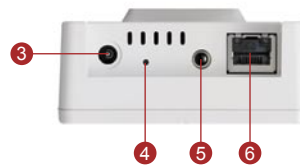
* The bracket is included.

- 1/3" Micron Progressive Scan CMOS
- Bundled with f4.2mm / F1.8 lens
- 0.5 Lux at F1.0
- Interchangeable lenses available
- Selectable MPEG-4 SP / MJPEG compression
- VGA resolution at 30 FPS
- Multi-stream with variable frame rate in the same compression
- Shutter Speed, White Balance, Exposure , Gain Controls supported
- Two-way audio supported
- Hardware motion detection
- DC 12V or Power over Ethernet (IEEE 802.3af) supported (ACM-4001)



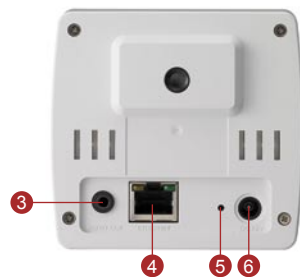
- 1 Power LED
- 2 Built-in Microphone

ACM-4000



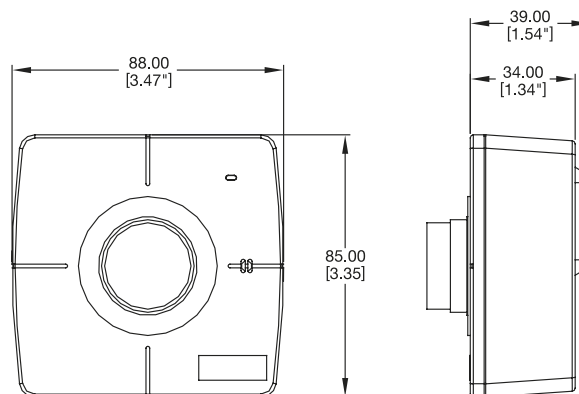
- 3 DC 3.3V Power Input
- 4 Reset Button
- 5 Audio Output
- 6 Ethernet Port

ACM-4001



- 3 Audio Output
- 4 Ethernet Port
- 5 Reset Button
- 6 DC 12V Power Input

DIMENSION DIAGRAM



Unit: mm [inch]



ACM-4000/ACM-4001

PRODUCT SPECIFICATION

		ACM-4000	ACM-4001
Image	Device	Micron Progressive Scan CMOS	
	Size	1/3 inch	
	Effective Pixels	640(H) x 480(V)	
Min. scene Illumination	Color	0.5 Lux at F1.0 (2400 °K, 30 IRE)	
Lens	Focal Length	f4.2 mm / F1.8	
	Viewing Angle	64.1° (Horizontal)	
Synchronization	Sync. System	Internal	
Functions	Motion Detection	Yes (3 windows)	
	Electronic shutter	1/5 ~ 1/15,000 sec.	
	Fixed Shutter (Manual)	1/30 ~ 1/1,000 sec. (60Hz); 1/25 ~ 1/1,000 sec. (50Hz)	
	Flickerless	1/120 sec. (60Hz); 1/100 sec. (50Hz)	
	AGC	Automatic (User defined)	
S/N Ratio	White Balance	AUTO, INDOOR1, INDOOR2, OUTDOOR1, OUTDOOR2, HOLD CURRENT, MANUAL	
Video Compression	S/N Ratio	Better than 44 dB	
	Compression	MPEG-4 SP / MJPEG selectable	
	Picture Resolution	VGA (640 x 480) QVGA(320 x 240) QQVGA(160 x 112)	
	Bit Rate	28 K ~ 3 M bps	
Audio Input	Image Frame Rate	30 fps at VGA resolution	
	Compression	8kHz, Mono, PCM	
Audio Output	Built-in Microphone	Sensitivity: -36±3dB(0dB=1V/Pa); S/N Ratio: more than 58 dB; Directivity: Omni-directional	
	Compression	8kHz, Mono, PCM	
External I/O	Audio Line Output	Unbalanced, 1.4Vp-p, 1Vrms, 3.5mm Phone Jack	
	Reset Button	Factory default	
Network	LED	System status	
	Ethernet Port	Ethernet(10/100 Base-T), RJ-45 Connector	
Software	Protocol	TCP, UDP, HTTP, HTTPS, DHCP, PPPoE, RTP, RTSP, DNS, DDNS, NTP, ICMP, ARP, IGMP, SMTP, FTP, UPnP	
	Web Browser	Microsoft Internet Explorer 6.0 or above	
Operating	SDK	ACTi SDK-10000	
	Security	Password protection: configured by the administrator	
Power	Temperature	0 °C ~ 40 °C (32 °F ~ 104 °F)	
	Power Requirement	DC 3.3V ± 10 %	PoE (IEEE 802.3af) with Class 3
Physical	Power Consumption	2.4 W	2.88 W (DC 12V), 3.00 W (PoE)
	Dimensions (WxHxD)	88 mm x 85 mm x 39 mm (3.47" x 3.35" x 1.54")	
Approvals	Weight	150 g (0.33 lb) (w/o bracket)	
	Certificate	CE, FCC	

ACCESSORY OPTIONS

Lens

- f2.4~6mm F1.2, CS mount, Format 1/3"
- f2.8~12mm F1.6, CS mount, Format 1/3"

PLEN-0201
PLEN-0202

BUNDLED ACCESSORY



- Max. Load: 1.5 kg
- Material / Color: ABS PLASTIC / Grey
- Dimension (H x D): 115 mm x 80 mm
- Swivel Angle: 360°
- Tilt Angle: 90°