



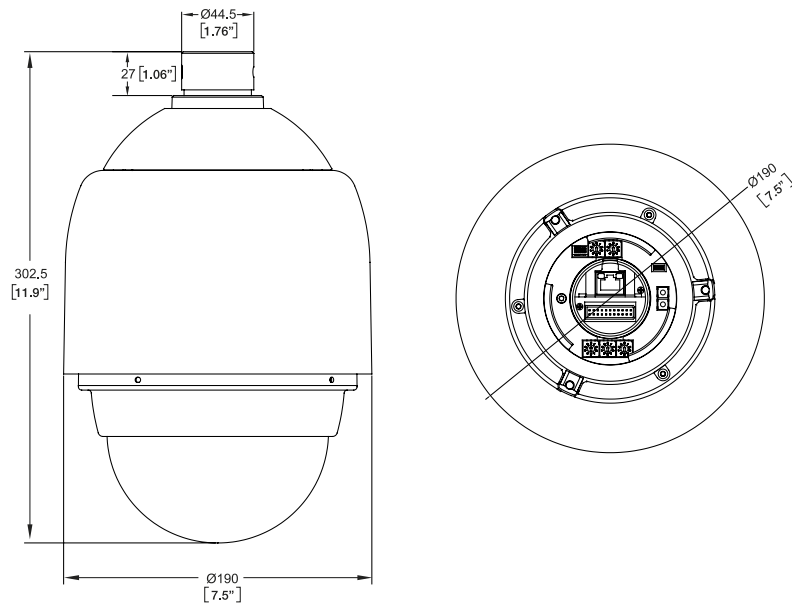
MPEG-4 ASP Outdoor IP High Speed Dome with Two Way Audio

CAM-6600 Series



- 1/4" EXview HAD / Progressive CCD
- Day and night function with Mechanical IR Cut Filter
- Optical Zoom Ratio 18x (CAM-6610) / 23x (CAM-6620) / 35x (CAM-6630)
- 0.01 Lux at F1.4 (CAM-6610/6630)
0.01 Lux at F1.6 (CAM-6620)
- MPEG-4 ASP compression
- CIF up to Full D1 resolution at 30/25 FPS
- Multi-stream with variable frame rate in the same compression
- Backlight Compensation, Auto Iris Control, Auto White Balance supported
- Hardware motion detection, Digital Input/Output
- Fail-over network protection and QoS enabled (L3) video streaming
- IP66 weatherproof supported
- Surface / Pendant / Wall / Corner / Pole mount supported

DIMENSION DIAGRAM



ACCESSORY OPTIONS

Dome Cover

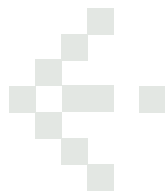
- Transparent Cover (Vandal Proof)
- Transparent Cover (Non-Vandal)
- Smoke Cover (Non-Vandal)

- PDCX-1001
- PDCX-0001
- PDCX-0103

Mounting Configuration*

- Pendant Mount
- Wall Mount
- Corner Mount
- Pole Mount

*Sold separately. Please refer to detailed mounting configuration table in the accessory section or Project Planner on ACTi.com



CAM-6600 Series

PRODUCT SPECIFICATION

		CAM-6610	CAM-6620	CAM-6630
Image	Device	EXview HAD CCD	Progressive CCD	Progressive CCD
	Size	1/4 inch		
	Effective Pixels	768 (H) x 494 (V) (NTSC); 752 (H) x 582 (V) (PAL)		
	Horizontal Resolution	530 TVL	540 TVL	540 TVL
Min. Scene Illumination	Color	0.1 Lux (F1.4, 1/4s(NTSC) or 1/3s (PAL))	0.1 Lux (F1.6, 1/60s(NTSC), 1/50s (PAL))	0.1 Lux (F1.4, 1/60s(NTSC), 1/50s (PAL))
	B/W	0.01 Lux (F1.4, 1/1s (NTSC) or 1/1s (PAL), IR ON)	0.01 Lux or less (F1.4, 1/4s (NTSC) or 1/3s (PAL), IR ON)	0.01 Lux (F1.4, 1/4s (NTSC) or 1/3s (PAL), IR ON)
Lens	Focal Length	4.1 ~ 73.8 mm	3.6 ~ 82.8 mm	3.4 ~ 119 mm
	Zoom Ratio	18x	23x	35x
	Aperture Ratio	F1.4 (Wide), F3.0 (Tele)	F1.6 (Wide), F3.7 (Tele)	F1.4 (Wide), F4.2 (Tele)
	Diagonal Angle	48° (W) ~ 2.8° (T)	54° (W) ~ 2.5° (T)	55.8° (W) ~ 1.7° (T)
	Zoom Speed	2.1 sec (1x to 18x)	2.9 sec (1x to 23x)	4.6 sec (1x to 35x)
	Digital Zoom		1x ~ 12x variable	
	Synchronization	Sync. System	Internal / Line Lock	
Day/Night Functions	Mechanical IR Cut Filter	Yes		
	Motion Detection	Yes (3 windows)		
Functions	Electronic Shutter	1/1 ~ 1/10,000 sec. (NTSC) 1/1 ~ 1/10,000 sec. (PAL)	1/2 ~ 1/30,000 sec.(NTSC) 1/1.5 ~ 1/30,000 sec.(PAL)	1/1 ~ 1/30,000 sec.(NTSC) 1/1 ~ 1/30,000 sec.(PAL)
	Image Stabilizer	N/A	N/A	Yes
	Fixed Shutter		Yes	
	Auto Slow Shutter		Yes	
	BLC		On / Off	
	AGC		Auto / Manual	
	Auto Exposure Control	Auto / Manual / Exposure Compensation	Auto / Manual / IRIS OFFSET	
	Exposure Compensation	-10.5 ~ +10.5 dB	IRIS OFFSET (000 ~ 100 steps)	
	White Balance		Auto / Manual	
	Camera ID		Max. 20 characters	
	Number of Preset		256 points	
	Auto Iris Control		Auto / Manual	
	Sequence Group		8	
	Auto Pan (Patrol)		4	
	Schedule		Yes	
	Privacy Mask	24	8	
	Cruise		4	
	Absolute Position	Yes		Yes*
	Wide Dynamic Range	N/A		Yes
	S/N Ratio	S/N Ratio	Better than 50 dB (AGC off)	
PAN/TILT	Manual Speed	Pan	1° ~ 90°/sec.	
		Tilt		
	Preset Speed	Pan	5° ~ 400°/sec.	
		Tilt		
	Preset Accuracy	Pan	0.225°	
		Tilt	0.45°	
Travel Range	Pan	360° endless		
	Tilt	-10° ~ 100° (190° in Image Flip mode)		
Video (Compression)	Compression	MPEG-4 ASP compliant		
	Picture Resolution	Full D1 (720 x 480 in NTSC, 720 x 576 in PAL); CIF (352 x 240 in NTSC, 352 x 288 in PAL); QCIF (160 x 112 in NTSC, 176 x 144 in PAL)		
	Bit Rate	28K ~ 3M bps		
	Image Frame Rate	30fps at full D1 resolution (NTSC); 25fps at full D1 resolution (PAL)		
Video Output	Multi-stream	Up to 4 configurable frame rate/bit rate streams for preview and recording		
Alarm	Composite Output	CVBS, 1.0Vp-p with 75 Ω loading, BNC connector		
	Digital Input	8, TTL, terminal block (option)		
Casing	Digital Output	1, TTL, terminal block (option)		
	IP66 Rated	Weatherproof housing with IP66 certification		
	Vandal Resistant	Yes (vandal proof cover is optional)		
Network	Mount Type	Surface / Pendant** / Wall** / Corner** / Pole**		
	LAN Port	Ethernet(10/100Base-T), RJ-45 connector		
	WAN Port	Ethernet(10/100Base-T), RJ-45 connector		
Software	Protocol	TCP, UDP, IP, HTTP, DHCP, PPPoE, RTP, RTSP, FTP, SMTP, DNS, DDNS, NTP, ICMP, IGMP, ARP		
	Web Browser	Microsoft Internet Explorer 6.0 or above		
	SDK	ACTI SDK-10000		
Operating	Security	Password Protection: configured by the administrator		
	Temperature	-45 °C ~ 50 °C (-49 °F ~ 122 °F)		
Power	Power Requirement	AC 24V		
	Power Consumption	65 W (w/ Heater ON)		
Physical	Dimensions (ØxH)	172 mm x 302.5 mm (6.7" x 11.9"); 190 mm x 302.5 mm (7.5" x 11.9") with sunshield		
	Weight	5,800 g (12.9 lb)		
Approvals	Certificate	CE, FCC, IP66		

*Only Pan/Tilt absolute position is supported.

**Sold separately. Please refer to detailed mounting configuration table in the accessory section or Project Planner on ACTI.com