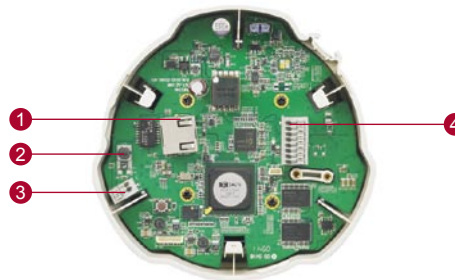


TCM-3401/TCM-3411

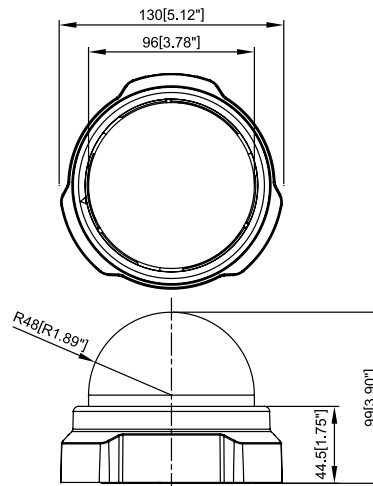


- 1/3" Micron Progressive Scan CMOS
- Day and night function with Mechanical IR Cut Filter (TCM-3411)
- Integrated f4.2mm / F1.8 Megapixel varifocal lens
- 0.5 Lux (TCM-3401) / 0.05 Lux (TCM-3411) at F1.0
- Interchangeable Lenses Available (TCM-3401)
- H.264 / MPEG-4 SP / MJPEG triple codec with two simultaneous streams
- Up to SXGA resolution at 18 FPS
- Wide Dynamic Range function supported
- Shutter Speed, White Balance, Exposure, Gain Controls supported
- Two-way audio supported
- Hardware motion detection, Digital Input / Output
- DC 12V or Power over Ethernet (IEEE 802.3af) supported
- Surface / Pendant / Wall / Corner / Pole / Flush mount supported



- 1 Ethernet Port
- 2 Reset Button
- 3 DC 12V Power Input
- 4 Audio & Digital Input / Output

DIMENSION DIAGRAM



Unit: mm [inch]

TCM-3401/TCM-3411**PRODUCT SPECIFICATION**

		TCM-3401	TCM-3411
Image	Device	Micron Progressive Scan CMOS	
	Size	1/3 inch	
	Effective Pixels	1280 (H) x 1024(V)	
Min. Scene Illumination	Color	0.5 Lux at F1.0 (2400 °K, 30IRE)	Color mode automatically switched to B/W mode under 4 Lux
	B/W	N/A	0.05 Lux at F1.0 (2400 °K, 30IRE)
	IR Sensitivity	N/A	from 700 nm to 1100 nm
	IR LED	N/A	
	CDS Sensor	N/A	Yes
Lens	IR Working Distance	N/A	
	Focal Length	f4.2 mm / F1.8	
Camera Angle Adjustment	Viewing Angle	64.7° (Horizontal)	
	X (Panning)	0° ~170°	
Synchronization	Y (Tilting)	0° ~180°	
	Sync. System	Internal	
Day/Night Functions	Mechanical IR Cut Filter	N/A	Yes
	Motion Detection	Yes (3 Windows)	
Functions	Electronic Shutter	1/5 ~ 1/15,000 sec	
	Fixed Shutter (Manual)	1/30 ~ 1/1,000 sec. (60Hz); 1/25 ~ 1/1,000 sec. (50Hz)	
	Flickerless	1/120 sec. (60Hz); 1/100 sec. (50Hz)	
	AGC	Automatic (User defined)	
	White Balance	AUTO, INDOOR1, INDOOR2, OUTDOOR1, OUTDOOR2, HOLD CURRENT, MANUAL	
S/N Ratio	Wide Dynamic Range	Yes	
	S/N Ratio	Better than 44 dB	
Video Compression	Compression	H.264/ MPEG-4 SP/ MJPEG simultaneous dual streams selectable	
	Picture Resolution	SXGA (1280x1024); HD720 (1280x720); VGA (640x480); QVGA (320 x 240); QQVGA (160 x112)	
	Bit Rate	28K ~ 6M bps	
Audio Input	Image Frame Rate	18 fps at SXGA; 26 fps at HD720; 30 fps at VGA; 30 fps at QVGA; 30 fps at QQVGA	
	Compression	8kHz, Mono, PCM	
Audio Output	Audio Line Input	Unbalanced, 1.4Vp-p, 1Vrms, terminal block	
	Compression	8kHz, Mono, PCM	
Alarm	Audio Line Output	Unbalanced, 1.4Vp-p, 1Vrms, terminal block	
	Digital Input	1, TTL, terminal block	
External I/O	Digital Output	1, TTL, terminal block	
	Reset Button	Factory default	
Casing	Mount Types	Surface / Pendant* / Wall* / Corner* / Pole* / Flush*	
	Ethernet Port	Ethernet (10/100 Base-T), RJ-45 connector	
Network	Protocol	TCP, UDP, HTTP, HTTPS, DHCP, PPPoE, RTP, RTSP, IPv6, DNS, DDNS, NTP, ICMP, ARP, IGMP, SMTP, FTP, UPnP	
	Web Browser	Microsoft Internet Explorer 6.0 or above	
Software	SDK	ACTi SDK-10000	
	Security	Password protection: configured by the administrator	
Operating	Temperature	-10 °C ~ 50 °C (14 °F ~ 122 °F)	
Power	Power Requirement	PoE (IEEE802.3af) with Class 3	
	Power Consumption	4.8 W (DC 12 V); 6.72 W (PoE)	
Physical	Dimensions (ØxH)	130 mm x 99 mm (5.12" x 3.90")	
	Weight	350 g (0.7 lb)	
Approvals	Certificate	CE, FCC	

ACCESSORY OPTIONS

Lens	Dome Cover	Mount Kit	Mounting Configuration*
<ul style="list-style-type: none"> f2.4mm F2.0, Board mount, Format 1/3" (For TCM-3401) 	<ul style="list-style-type: none"> PLEN-0112 Transparent Cover PDCX-0002 Smoke Cover PDCX-0101 	<ul style="list-style-type: none"> Mount Kit PMAX-0101 L Type Wall Mount Kit PMAX-0308 Flush Mount Kit PMAX-1006 Gang Box Converter PMAX-0801 	<ul style="list-style-type: none"> Pendant Mount Wall Mount Corner Mount Pole Mount Flush Mount

*Sold separately. Please refer to detailed mounting configuration table in the accessory section or Project Planner on ACTi.com

* All specifications are subject to change without notice.

* All brand names and registered trademarks are the property of their respective owners.

www.acti.com

ACTi
Connecting Vision