

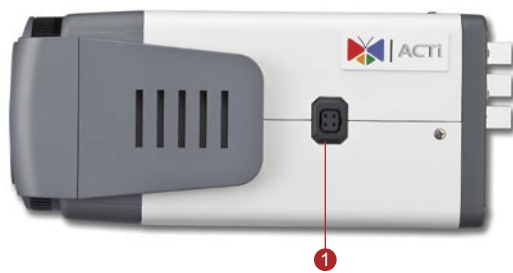


# TCM-5311/TCM-5312



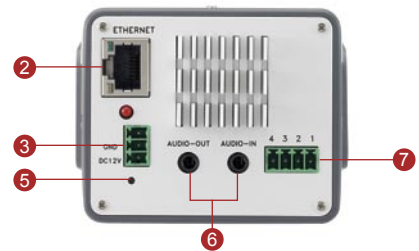
\* The lens needs to be purchased separately.

- 1/3" SONY Progressive Scan 1.25M Pixel Exview HAD CCD
- Day and night function with Mechanical IR Cut Filter
- 0.05 Lux at F1.2
- Interchangeable lenses available
- H.264 / MPEG-4 SP / MJPEG triple codec with two simultaneous streams
- Up to 1280 x 960 resolution at 15 FPS
- Shutter Speed, White Balance, Exposure, Gain Controls supported
- Two-way audio supported
- Hardware motion detection, Digital Input / Output
- DC 12V or Power Over Ethernet (IEEE 802.3af) supported(TCM-5311), or AC 24V power source supported(TCM-5312)
- The external back focus feature allows for easy and precise focus adjustments

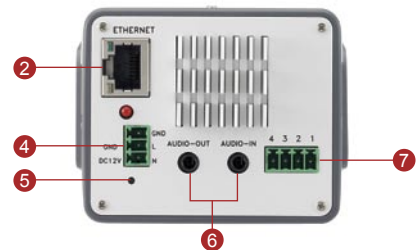


1

### TCM-5311

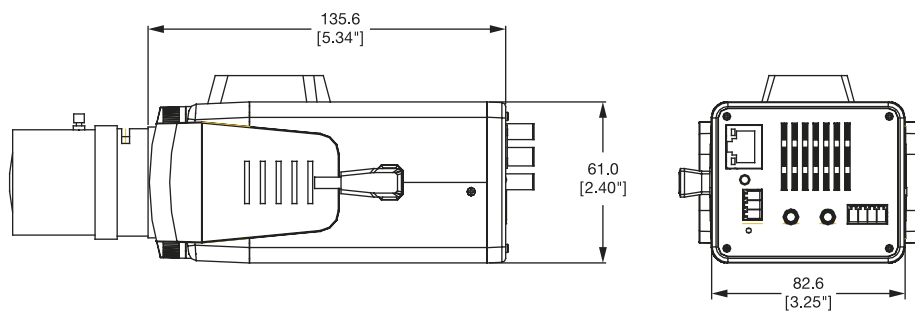


### TCM-5312



- |                             |                          |
|-----------------------------|--------------------------|
| 1 DC Iris Lens Control Port | 5 Reset Button           |
| 2 Ethernet Port             | 6 Audio Input / Output   |
| 3 DC 12V Power Input        | 7 Digital Input / Output |
| 4 AC 24V Power Input        |                          |

## DIMENSION DIAGRAM



Unit: mm [inch]



# TCM-5311/TCM-5312

## PRODUCT SPECIFICATION

		TCM-5311	TCM-5312
Image	Device	SONY Progressive Scan 1.25M Pixel EXview HAD CCD	
	Size	1/3 inch	
	Effective Pixels	1296(H) x 966 (V)	
	Horizontal Resolution	900 TVL	
Min. scene Illumination	Color	Color mode automatically switched to B/W mode (User defined)	
	B/W	0.05 Lux at F1.2 (30 IRE, SAGC)	
	IR Sensitivity	from 700nm to 1100nm	
	CDS Sensor	N/A	
Lens	Lens Mount	C/CS (with adaptor)	
Synchronization	Sync. System	Internal	
Day/Night functions	Mechanical IR Cut Filter	Yes	
	Motion Detection	Yes (3 Windows)	
Functions	Electronic shutter	2 ~ 1/100,000 sec.	
	Fixed Shutter (Manual)	1/60 ~ 1/10,000 sec. (60Hz); 1/50 ~ 1/10,000 sec. (50Hz)	
	Flickerless	Auto On/Off	
	BLC	Auto On/Off	
	AGC	Super AGC 0~36 dB (User defined)	
	Auto Iris Control	DC Iris	
	White Balance	AUTO, INDOOR1, INDOOR2, OUTDOOR1, OUTDOOR2, HOLD CURRENT, MANUAL	
	S/N Ratio	S/N Ratio	Better than 50 dB
Video Compression	Compression	H.264/ MPEG-4 SP/ MJPEG simultaneous dual streams selectable	
	Picture Resolution	SXGA (1280x960)	
		HD 720 (1280x720)	
		VGA (640x480)	
QVGA (320x240)			
Bit Rate	28K ~ 6M bps		
	Image Frame Rate	15 fps at SXGA; 30 fps at HD720; 30 fps at VGA; 30 fps at QVGA; 30 fps at QQVGA	
Audio Input	Compression	8kHz, Mono, PCM	
	Audio Line Input	Unbalanced, 1.4Vp-p, 1Vrms, 3.5mm Phone Jack	
Audio Output	Compression	8kHz, Mono, PCM	
	Audio Line Output	Unbalanced, 1.4Vp-p, 1Vrms, 3.5mm Phone Jack	
Alarm	Digital Input	1, TTL, terminal block	
	Digital Output	1, TTL, terminal block	
External I/O	Reset Button	Factory default	
	LED	System status	
Network	Ethernet Port	Ethernet(10/100 Base-T), RJ-45 connector	
	Protocol	TCP, UDP, HTTP, HTTPS, DHCP, PPPoE, RTP, RTSP, IPv6, DNS, DDNS, NTP, ICMP, ARP, IGMP, SMTP, FTP, UPnP	
Software	Web Browser	Microsoft Internet Explorer 6.0 or above	
	SDK	ACTi SDK-10000	
Operating	Security	Password Protection: Configured by the Administrator	
	Temperature	-10°C ~ 50°C (14°F ~ 122°F)	
Power	Power Requirement	PoE (IEEE 802.3af) with Class 3	AC 24 V± 10%
	Power Consumption	6.72 W (DC 12 V) 7.68 W (PoE)	8.04 W (DC 12V) 6.24 VA (AC 24V)
Physical	Dimensions (WxHxD)	135.6mm x 82.6mm x 61.0mm (5.34" x 3.25" x 2.40")	
	Weight	505g (1.1 lb)	
Approvals	Certificate	CE, FCC	

## ACCESSORY OPTIONS

Lens	Housing	Bracket
<ul style="list-style-type: none"> <li>f2.8~12mm F1.3, CS mount, Format 1/3" PLEN-0203</li> <li>f8~80mm F1.6, C mount, Format 1/2" PLEN-0205</li> </ul>	<ul style="list-style-type: none"> <li>Outdoor Housing (AC 110V) PMAX-0200</li> <li>Outdoor Housing (AC 220V) PMAX-0201</li> </ul>	<ul style="list-style-type: none"> <li>Camera Bracket PMAX-1100</li> <li>Housing Bracket PMAX-1101</li> </ul>